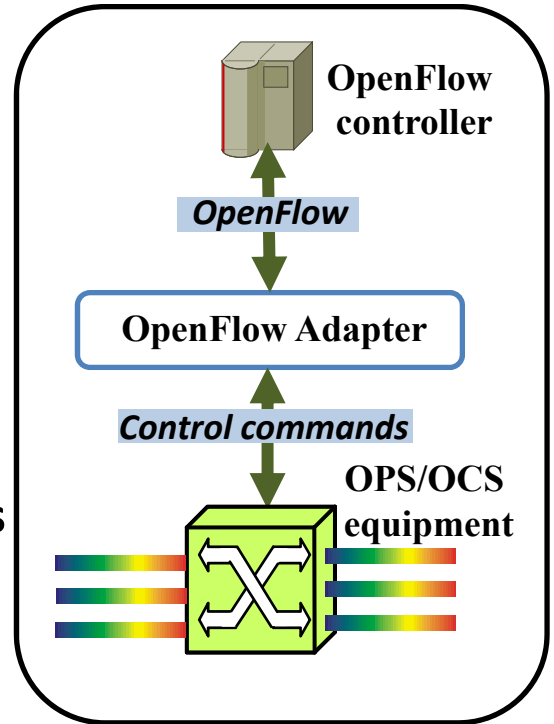


OpenFlow-based OPS/OCS Unified Control Plane

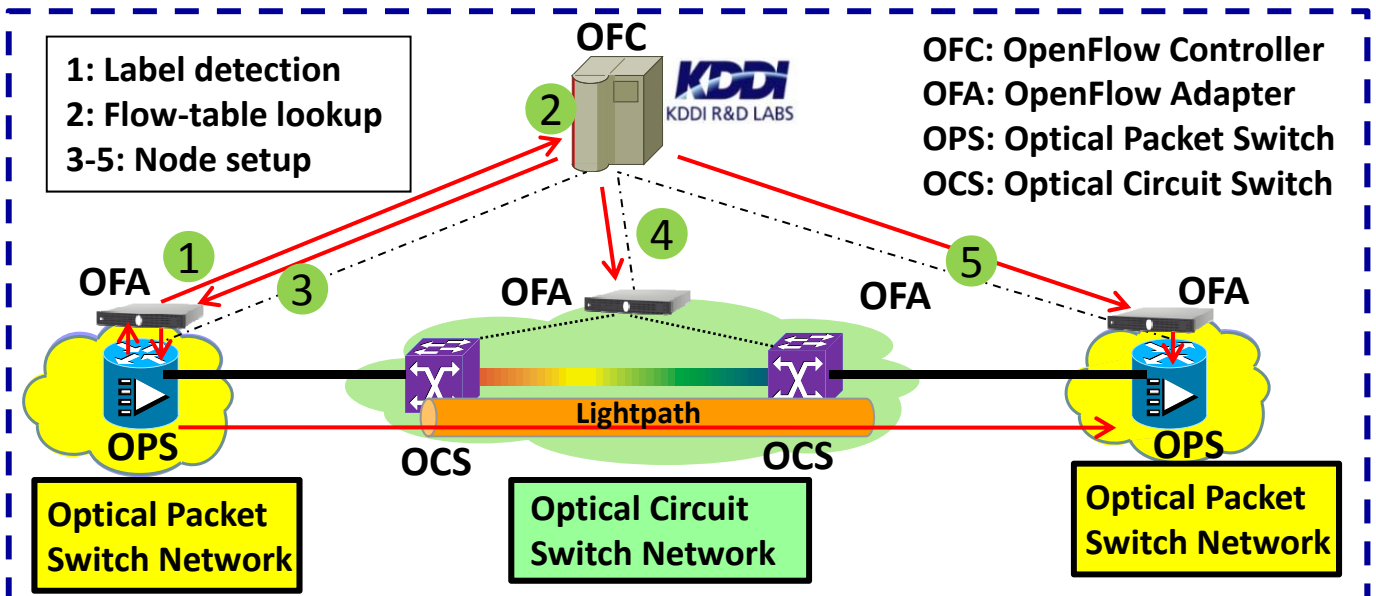
Technical Overview

- OpenFlow Adapter (OFA) is introduced to control OPS/OCS equipment.
- The OFA virtualizes the resources of the OPS/OCS nodes for the controller, and translates OpenFlow protocol into commands that can be understood by the equipment.



Demonstration

- End-to-end path provisioning in OPS/OCS network using the OpenFlow-based network controller.



This work is partially supported by Ministry of Internal Affairs and Communications (MIC) "STRAUSS", Japan.